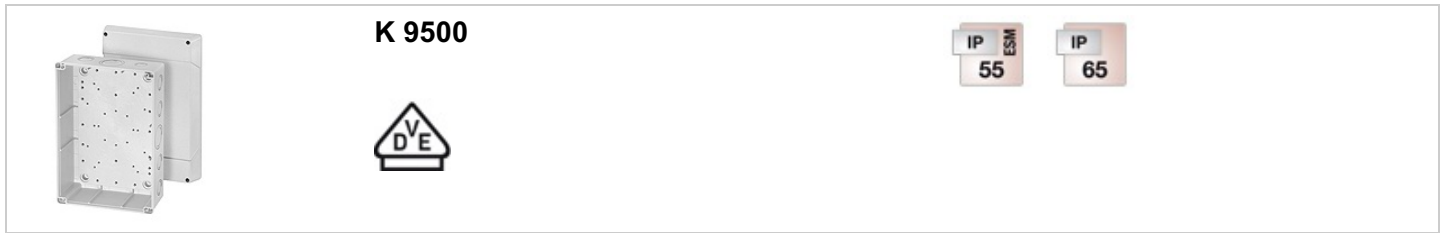


With or without terminals

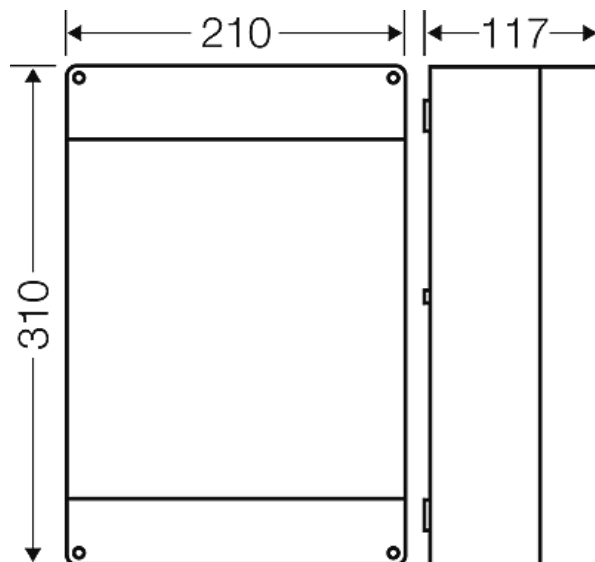


- Replaced by DK 5000 G from 31.12.2017
- without terminals
- Cable entries via knockouts, order AKM/ASM separately (see cable entry systems LES)
- for normal environment and protected outdoor
- colour: grey, RAL 7035

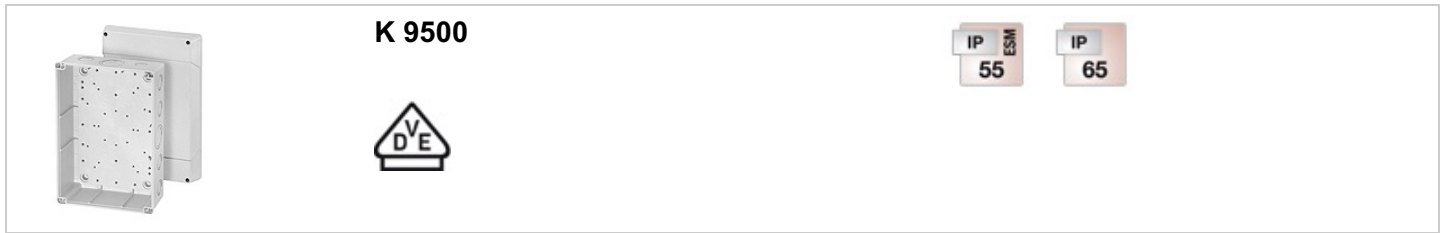
material	PS (Polystyrene)
degree of protection	IP 55 (ESM)
degree of protection	(see cable entry systems LES) IP 65
mounting width	280 mm
mounting height	180 mm
max. installation depth	88 mm
width	210 mm
height	310 mm
depth	117 mm
weight	1,313 kg
in accordance with	IEC 60670-22

Drawings

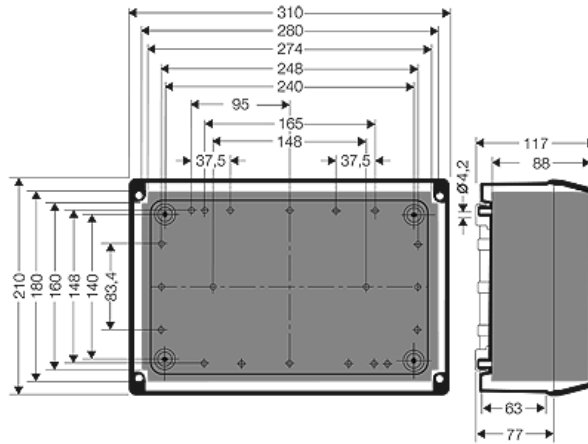
Dimension drawing



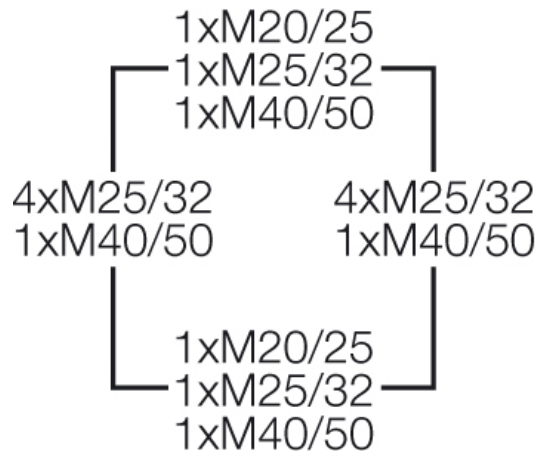
With or without terminals



Detail mass




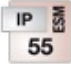
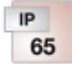

Box walls



Operating and ambient conditions

Application area	Suitable for indoor installation and outdoor installation, protected against weather influences
Resistant to occasional cleaning procedures (direct jet)	Resistant to occasional cleaning procedures (direct jet) with high-pressure cleaner without additives, water pressure: max. 100 bar, water temperature: max. 80° C, distance => 0,15 m, in accordance with the requirements IP 69, enclosure and cable glands at least IP 65
Ambient temperature	Maximum value + 40 °C Minimum value - 25 °C
Fire protection in the event of internal faults	Demands placed on electrical devices from standards and laws Minimum requirements - Glow wire test in accordance with IEC 60695-2-11: - 650°C for boxes and cable glands - 850°C for parts of insulating material necessary to retain current carrying parts in position
Burning behaviour	Glow wire test IEC 60695-2-11: 750 °C UL Subject 94: V-2 flame-retardant self-extinguishing
Degree of protection against mechanical load	IK07 (2 Joule)

With or without terminals

	<b>K 9500</b>		
			

Toxic behaviour

halogen-free  
silicone-free  
"halogen-free" in accordance with the examination of the cables  
and insulated wires - corrosiveness of fumes - as per IEC 60754-2

Note:

For material properties see technical data.